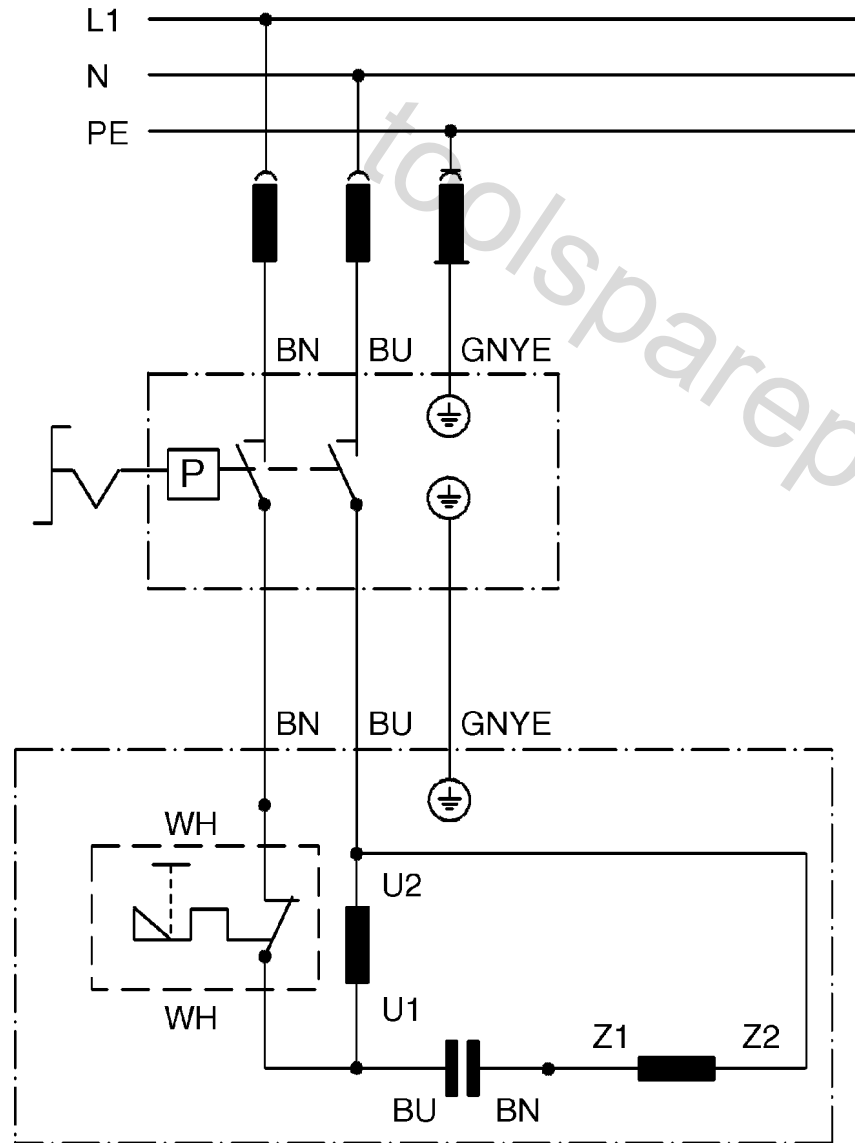


| Position | Amount | Type number | Description | PG |
|----------|--------|-------------|--|----|
| 1 | 14 | 141150050 | Washer | 10 |
| 2 | 2 | 6103005270 | HEXAGON HEAD SCREW M 10X20 VERZ. | 10 |
| 3 | 1 | 7871032658 | REDUCER NIPPL 3/4"X1/2" NR. 241 / VERZ. | 15 |
| 4 | 1 | 7872027356 | UNION R 1/2"AG X RD 15 GERADE | 22 |
| 5 | 8 | 6202002313 | HEXAGON NUT, PREV. TORQUE TYPE | 10 |
| 6 | 1 | 7871675990 | THREADED PLUG 1" NR.596 / VERZ. | 20 |
| 7 | 1 | 7830029286 | DRAIN VALVE R 1/2" | 31 |
| 8 | 2 | 7271663832 | SWIVEL PLATE CASTER RD 75X25 M.FESTSTELL | 28 |
| 9 | 2 | 6127609460 | HEXAGON SOCKET HEAD CAP SCREW M 10X25 VE | 10 |
| 10 | 2 | 6202024139 | HEXAGON NUT, PREV. TORQUE TYPE | 10 |
| 11 | 4 | 6305002508 | WASHER B 13 VERZ. | 10 |
| 12 | 2 | 7270663825 | WHEEL, PNEUMATIC TYRE RD 260/85 M.STAHLF | 38 |
| 13 | 2 | 6300016705 | Washer | 10 |
| 14 | 2 | 6102024123 | HEXAGON HEAD SCRE M 12X80 VERZ. | 10 |
| 15 | 1 | 8402094428 | CABLE, RUBBER JACKET,WITH PLUG A=437.1U | 27 |
| 16 | 2 | 1341630874 | HANDLE | 20 |
| 17 | 6 | 6172039616 | CROSS REC'D PAN HEAD TAP.SCREW ST 3,5X19 | 10 |
| 18 | 1 | 1317677835 | HANDLE TUBE RDA 20X1,5X1231 GEBOGEN | 40 |
| 19 | 1 | 1001678430 | HOSE COIL ASSEMBLY ET | 54 |
| 20 | 1 | 7802009105 | Quick COUPLER, SLEEVE R 1/2" AG | |
| 21 | 1 | 7871026968 | REDUCER NIPPL 1"X1/2" NR.241 / VERZ. | 16 |
| 22 | 4 | 6103001259 | HEXAGON HEAD SCREW M 10X40 VERZ. | 10 |
| 23 | 1 | 1317678300 | COPPER PIPE RD 15X1X1250 GEBOGEN | 36 |
| 24 | 1 | 1001193151 | CHECK VALVE, ELBOW TYP R 1/2"X RD 15 M.G | 40 |
| 25 | 1 | 1341645472 | HOSE CLAMP | 10 |
| 30 | 2 | 6172001830 | Fillister head screw | 10 |
| 31 | 2 | 6265167657 | TIN NUT | 12 |
| 32 | 2 | 1341634594 | BEARING BLOCK | 13 |
| 33 | 1 | 7872675854 | ELBOW TAP CONNECTOR R 1/4"A X 10MM M.O-R | 25 |
| 34 | 1 | 1341634608 | CRANK | 13 |
| 40 | 2 | 7872675854 | ELBOW TAP CONNECTOR R 1/4"A X 10MM M.O-R | 25 |
| 41 | 1 | 8101149774 | AUTOM. PRESSURE CONTROL SWITCH 6-8 BAR 2 | 37 |
| 42 | 1 | 8401664069 | CABLE, RUBBER JACKET, W/O PLUG A=70 GE/G | 19 |
| 43 | 1 | 7834660835 | RELIEF VALVE EV2 S | 26 |
| 44 | 2 | 7851190842 | PLASTIC HOSE BLACK RD 6X1X1000 SCHWARZ | 17 |
| 45 | 1 | 7230663917 | V-BELT SPA 1400 | 30 |
| 46 | 4 | 6127056666 | HEXAGON SOCKET HEAD CAP SCREW M 10X35 VE | 12 |
| 47 | 1 | 8012663880 | ELECTRIC MOTOR 1X230V 50HZ 2800UPM B3 /M | 65 |
| 48 | 4 | 6209675984 | FLANGE NUT M 10 VERZ./VERZAHNUNGSAUFL | 10 |
| 49 | 4 | 141130930 | Hexagonal lock nut | 10 |
| 50 | 2 | 141150020 | Washer | 10 |

| | | | | |
|-----|---|------------|---|----|
| 51 | 4 | 7872722836 | TUBE FITTING 1/8"X RD 6 GERADE-STECKBAR | 18 |
| 52 | 6 | 6209110995 | Flange nut | 10 |
| 53 | 1 | 7851675935 | PLASTIC HOSE RD 6X2X100000 DRUCK./HITZEB | 25 |
| 54 | 8 | 1010739906 | CAGE NUT M 5 | 13 |
| 55 | 1 | 1312739832 | PROTECTIVE GRATING, FRONT | |
| 56 | 1 | 1312722360 | PROTECTIVE GRATING, REAR BL 1,50X416,5X6 | 48 |
| 57 | 4 | 6121121296 | HEXAGON SOCKET HEAD CAP SCREW | 10 |
| 58 | 1 | 7820724784 | FILTER PRESSURE REGULATOR ASS' FR 1/4"/0 | 47 |
| 59 | 1 | 7871664190 | TUBE FITTING 1/2" I X 1/2" A LÖSBAR | 25 |
| 60 | 1 | 7872663090 | ELBOW TAP CONNECTOR 1/4" A X 6MM M.O-RING | 23 |
| 61 | 1 | 7809664206 | REDUCER BUSHING 1/2" I X 3/8" A | 21 |
| 62 | 1 | 7812052440 | PIPE NIPPL 1/2" X 150 VERZINKT | 19 |
| 63 | 1 | 1312739891 | CONNECTING PLATE BL 1,50X25,5X68,5 MEGA | |
| 64 | 1 | 7243676007 | LOCKING BUSH 1610-24 / NUT 8 MM TAPER | 25 |
| 65 | 1 | 7240663966 | V-BELT PULLEY TBA 132-1-1610 | 31 |
| 66 | 1 | 6721608849 | FEATHER KEY A 8X7X35 ET | 10 |
| 67 | 2 | 141114860 | Hexagon head screw | 12 |
| 68 | 4 | 141151340 | Washer | 10 |
| 69 | 2 | 1001697303 | INTEGRATED PRESSURE GAUGE RD 40 R1/8" I 0 | 31 |
| 70 | 1 | 1312722506 | RETENTION PLATE BL 2,00X262X276,5 MEGA 5 | 32 |
| 73 | 1 | 1312715119 | FAN COVER ERR 90 ET MEGA 500 | 34 |
| 74 | 1 | 1312714724 | FAN WING T 90 L-2 | 29 |
| 100 | 1 | 1313663848 | COMPRESSOR PUMP B3800B M.LÜFTERRAD RD350 | 67 |
| 101 | 1 | 7825156113 | AIR FILTER ET | 32 |
| 102 | 2 | 1319164100 | PISTON RING RD 60X2 ET | 30 |
| 103 | 2 | 1319164118 | PISTON RING RD 60X2 ET | 31 |
| 104 | 2 | 1319164126 | OIL WIPING RING RD 60X3 ET | 32 |
| 106 | 2 | 1315163885 | GUDGEON PIN RD 15X50 ET | 29 |
| 108 | 2 | 1319657378 | CONNECTING ROD ET | 37 |
| 109 | 2 | 7635157067 | ROTARY SHAFT SEAL ET | 23 |
| 110 | 1 | 1319720150 | HOUSING LID | 33 |
| 111 | 1 | 1319678391 | FLYWHEEL RD 350 ET | 58 |
| 112 | 1 | 1315166400 | WASHER 8,5X30X5 ET | 19 |
| 113 | 1 | 6121000839 | Cap screw | 10 |
| 115 | 2 | 7100157076 | DEEP GROOVE BALL BEARING 25X52X15 6205 | 32 |
| 118 | 1 | 1319151431 | PACKING, AFTERCOOLER ET | 23 |
| 119 | 1 | 1319707448 | AFTERCOOLER 11 LAMELLEN B3800B /ET | 33 |
| 124 | 1 | 1319157049 | BEARING CAP, PINION END ET | 25 |
| 125 | 1 | 1319155860 | OIL SIGHT GLASS 1/2" ET | 22 |
| 126 | 1 | 1319657386 | PACKING, HOUSING LID ET | 30 |
| 129 | 1 | 1319655111 | OIL WIPING SCREW 3/8" ET | 27 |
| 130 | 1 | 343409730 | Circuit breaker, 18A | 36 |



| | Litzenfarben | Colour of strands | Couleur des cordons |
|------|--------------|-------------------|---------------------|
| BK | schwarz | black | noir |
| WH | weiß | white | blanc |
| BU | blau | blue | bleu |
| YE | gelb | yellow | jaune |
| RD | rot | red | rouge |
| TR | transparent | transparent | transparent |
| BN | braun | brown | brun |
| GY | grau | grey | gris |
| GNYE | grün-gelb | green-yellow | vert-jaune |
| BKWH | schwarz-weiß | black-white | noir-blanc |
| GN | grün | green | vert |
| OG | orange | orange | orange |
| VT | violett | violet | violet |
| TQ | türkis | turquoise | turquoise |

| | Bedeutung der Kurzzeichen | Meaning of the symbols | Interprétation des symboles |
|---|---------------------------|-------------------------------------|-----------------------------|
| B | Stecker | plug | fiche |
| C | Kondensator | condenser | condensateur |
| D | Funkentstördrossel | interference suppression inductance | inductance d'antiparasitage |
| E | Elektronik-Baustein | electronic unit | unité électronique |
| I | Induktionsspule | induction coil | bobine d'inductance |
| K | Klemme | terminal | borne |
| L | Licht | light | lumière |
| M | Motor | motor | moteur |
| O | Überlastschutz | overload cut-out | déclencheur de surintensité |
| R | Drehrichtungsumschalter | reversing switch | commutateur droite-gauche |
| S | Schalter | switch | interrupteur |
| U | Umschalter | change-over switch | commutateur |
| X | Elektronik-Element | electronic element | élément électronique |